

PowerLine

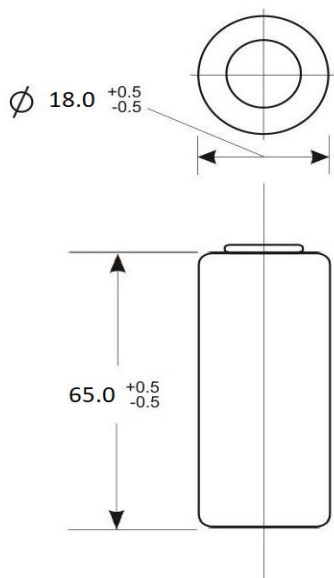
Lithium-ion Batteries

Powerline ICR18650 3000mAh

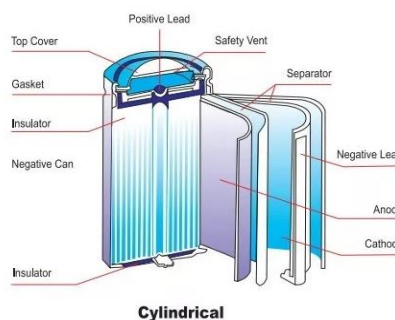
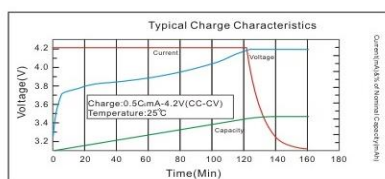
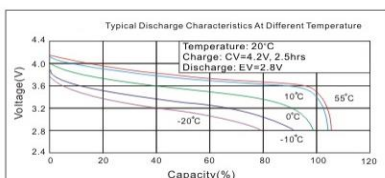
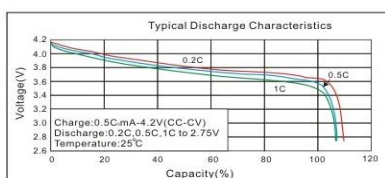
Li-ion Cylindrical Battery

Size: 18650

Typical Characteristics



Powerline ICR18650 3000mAh			
Specifications			
Nominal Voltage (V)		3.6V	
Capacity	Discharge rate	C/5	1C
	Nominal (mAh)	2950	2870
	Typical (mAh)	3000	2920
Dimension	Diameter (mm)	18.0 ^{+0.5} _{-0.5}	
	Height (mm)	65.0 ^{+0.5} _{-0.5}	
Charging	Standard	300 mA x 15 hrs	
	Quick	3000 mA x 1.2 hrs T _{max} =45°C -ΔV = 5~8mV	
Operating Temperature (°C)	Standard Charging	0 ~ 45°C	
	Quick Charging	10 ~ 40°C	
	Discharging	-20 ~ 60°C	
	Storage	-20 ~ 35°C	
Internal Resistance	≤52m Ohm (upon 50% discharge)		
Weight	Approx. 48g		
Cuff-off Voltage (V)	2.8		



Cylindrical

The data shown is correct at a temperature of 20±5°C Shutdown at ΔV= 15mV, after reaching 120% of the rated capacity or at a temperature above 55°C